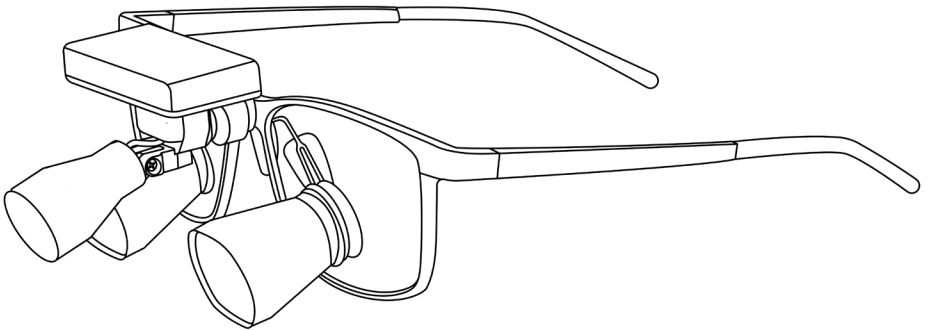


The Atom™ Wireless LED Light

The Atom™ Wireless LED Light Kit

REF 90802-001

Instructions For Use



Introduction

This *Instructions For Use* manual is the most comprehensive source of information for the safe and effective use of your product. This manual may be used by surgeons, dentists, veterinarians, or other healthcare professionals.

Keep and consult this reference manual during the life of the product.

The following conventions are used in this manual:

- A **WARNING** highlights a safety-related issue. ALWAYS comply with this information to prevent patient and/or healthcare staff injury.
- A **CAUTION** highlights a product reliability issue. ALWAYS comply with this information to prevent product damage.
- A **NOTE** supplements and/or clarifies procedural information.

If additional information, especially safety information, or in-service training is required, contact your Enova sales representative or call Enova customer service.

Trademarks not the property of Enova Illumination are the property of their respective owners.

Indications for Use

The Atom Light is a wireless headlight system designed to provide illumination during dental or minor surgical procedures. The Atom Light is part of the Enova Illumination product family. The use of a wireless light gives the user complete portability allowing unrestricted movement.

Contraindications

None known.

Limitations of Use

None known.

For Use With

Approved rechargeable battery packs, charging cable and charging pad. See *Accessories* section.

User / Patient Safety



WARNINGS:

- Do not use any third-party chargers with Atom Light Batter Packs, even if they look identical. Third-party chargers are not compatible with the battery packs and could damage them.
- Avoid intentional or unintentional contact of the batteries to each other or with a conductive surface will cause irreparable damage to the battery and **STRONGLY DISCOURAGED**. Please make sure to keep the batteries away from each other.
- Avoid direct sunlight or heated surfaces to prevent battery packs from overheating.
- Do not use close to explosive or highly flammable materials like alcohol, methanol, acetone, etc.
- Avoid shock to product by keeping product in approved composite carrying case when not in use.
- **DO NOT** use the LED surgical headlight, power packs or base station in explosive gas environments.
- **DO NOT** autoclave, immerse or submerge in liquid, spray with liquids or leave the LED "on" when inside the composite carrying case as it will cause damage to the Atom Light or may cause a fire.

Accessories

This section describes components that may be ordered to replace original equipment that is damaged, worn, or must be replaced.



WARNINGS:

- Use only Enova-approved components and accessories, including power packs, unless otherwise specified.
- DO NOT modify any component or accessory, unless otherwise specified.

The following Enova-approved accessories are sold with the complete Atom Wireless LED Light System:

DESCRIPTION	REF
Atom Light Single Battery (x3)	80800-001
Atom Light Charging Pad	80800-002
Atom Light Micro USB Cable	80800-003
Atom Light Micro USB Charging Plug	80800-004
Atom Light	80800-005
Atom Light Curing Filter	80800-006
Atom Light Screw Driver	80800-007

NOTE: For a complete list of accessories, contact your Enova sales representative or call Enova customer service.

Features

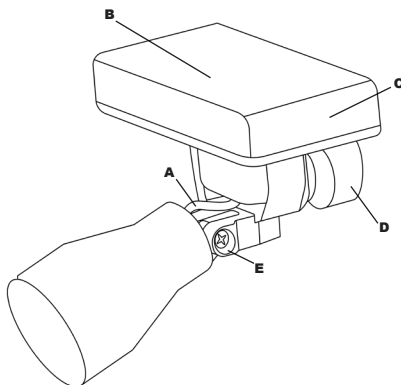


Figure 1

A	Headlight Cable: Connects the light source to the battery connection pad.
B	Power Pack Control: Provides power to light. Touch capacitive to turn light ON or OFF.
C	Light Intensity Control: Touch capacitive to control two light intensities.
D	Magnetic Loupe Adapter: This adapter attaches the light to the frames or loupes.
E	Light Adjustment Bracket: This bracket is used to adjust the light beam to fit the coaxially to the line of sight.

Instructions

- Perform recommended inspection and testing as indicated in the Inspection and Testing section.
- ALWAYS operate the equipment within the specified environmental condition values. See the *Specifications* section.
- This equipment is suitable to use in a professional healthcare facility environment.
- DO NOT cut or puncture the headlight cable.
- ALWAYS remove battery after use.

CAUTIONS:

- DO NOT scratch the LED headlight lens.

To Charge the Battery

1. Connect the Atom Light USB Micro Cable to the Charging Plug.
2. Plug the Charging Plug into wall outlet.
3. Place a single battery on the charging pad. It is possible to charge two battery packs simultaneously.
4. The charging indicator will light red. The indicator will change to green when the battery is fully charged.

NOTE: Battery packs may remain on the charging pad when not in use. However, it is recommended to remove batteries when fully charged to maintain longevity.

Single Battery Packs

Each Atom Wireless Light System includes three single battery pack units serving as the power source and control panel for the headlight. The battery packs will only work once connected to the connection pad on the light.

1. To turn battery pack ON or OFF, touch in the middle of the battery pack (Figure 1b). See *Features* section.
2. To dim the light source, touch the side panel of the battery. The Atom Light has two intensities (Figure 2c). See *Features* section.

NOTE: The battery pack supports a constant level of intensity during the whole period of discharging. Once the battery is fully discharged, the light turns off.

To Use Atom Light

1. When applicable, mount the external orange curing filter into the front part of the light source by pushing the outer ring of the filter into the front part of the light source.
2. Attach the Atom Light to the loupe or frame using the magnetic adaptor or universal clip.
3. Place a single battery pack on the connection pad. The battery pack must be oriented with Enova logo facing ahead. The magnets will align the battery electrodes with the connection pad.
4. Once aligned correctly, the default setting is ON. Adjust light intensity to your preference.
5. Adjust angle of the light direction to get light beam visible through the loupes

NOTE: When attempting to place the single battery pack in reverse position, the magnets will not allow it to be attached to the connection pad.

Troubleshooting



WARNING: DO NOT service this equipment, unless otherwise specified. If you require service, contact your Enova sales representative or call Enova customer service.

Issue	Troubleshooting
The light does not work steadily due to discharged battery	Replace battery pack. Charge the discharged battery
Battery does not function	Contact Enova representative
LED failure	
Battery overheats or produces fire during charge	
Battery leakage	
Battery swelling	

NOTE: If any component must be discarded, see the Disposal / Recycle section.

Product Specifications

Model:	REF 90802-001
Description:	Atom Wireless LED Light
Lamp Illumination:	23,000 lux
Color Temperature:	6100K
Light Source:	LED Refractive Technology
Illumination Spot Size:	4 inches, fixed
Headlight Weight:	.88 oz (25 g)
Headlight Construction:	Aluminum

Cleaning



WARNINGS:

CAUTION: DO NOT use solvents, lubricants, or other chemicals, unless otherwise specified.

To Clean the Atom Light

NOTE: Lens - Avoid scratching or striking the front lens as a reduction in light transmission may occur.

1. Exterior surfaces of Atom Light can be cleaned using a gauze pad or cotton swab moistened with 70% isopropyl alcohol or mild soap. After cleaning, wipe the area with a lint-free soft cloth moistened with water to remove any residue from cleaning products.
2. DO NOT immerse or spray the Atom Light, battery packs or charging pad with any liquids. Make sure no liquid comes in contact with the Atom Light, electrical connectors, charging station or battery packs.
3. To ensure a long life of the Atom Light, battery packs and charging pad, Enova recommends storing them in the supplied composite case.

Storage and Handling

CAUTION: ALWAYS store the equipment within the specified environmental condition values throughout its useful life.








To ensure the longevity, performance and safety of this equipment, use of the composite carrying case or water tight packaging is recommended when storing or transporting this equipment.

Disposal / Recycle



WARNING: ALWAYS follow the current local recommendations and/or regulations governing environmental protection and the risks associated with recycling or disposing of the equipment at the end of its useful life.

Symbol Definition

Symbol	Definition
	General Warning Sign (Yellow)
	Catalog number
QTY	Quantity
	Lot number
	Medical Device
	Recycle of Li-Ion Battery (in Accordance with Local Laws)
	Light Intensity
	CE Mark indicating that the device complies with Regulation (EU) 2017/745 of the European Parliament and of the Council of 5 April 2017 on medical devices

World Headquarters
1717 Broadway St NE
Minneapolis, MN 55413
1-651.236.8857
sales@goenova.com

